

MODERN CHUTE DESIGN FOR RESIDENTIAL & COMMERCIAL USE AT HIGH/LOW RISE BUILDINGS

WE PROVIDE...

- Design, Manufacturing & Installation of Garbage Chute System in G.I. or Stainless Steel
- Annual Preventive Maintenance
- Repairs & Refurbishment of Existing Garbage Chute & Compactors



www.seastareng.com

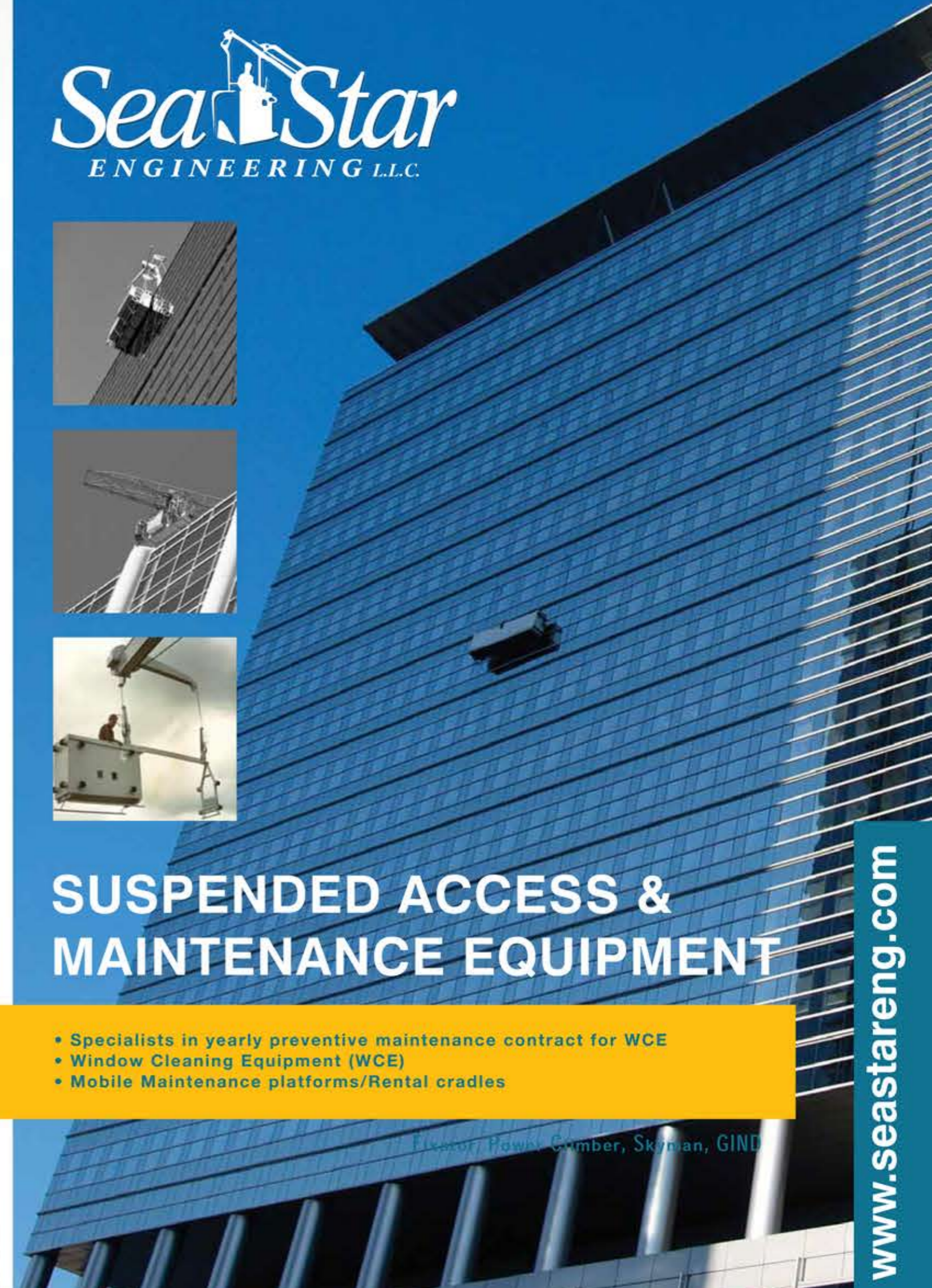
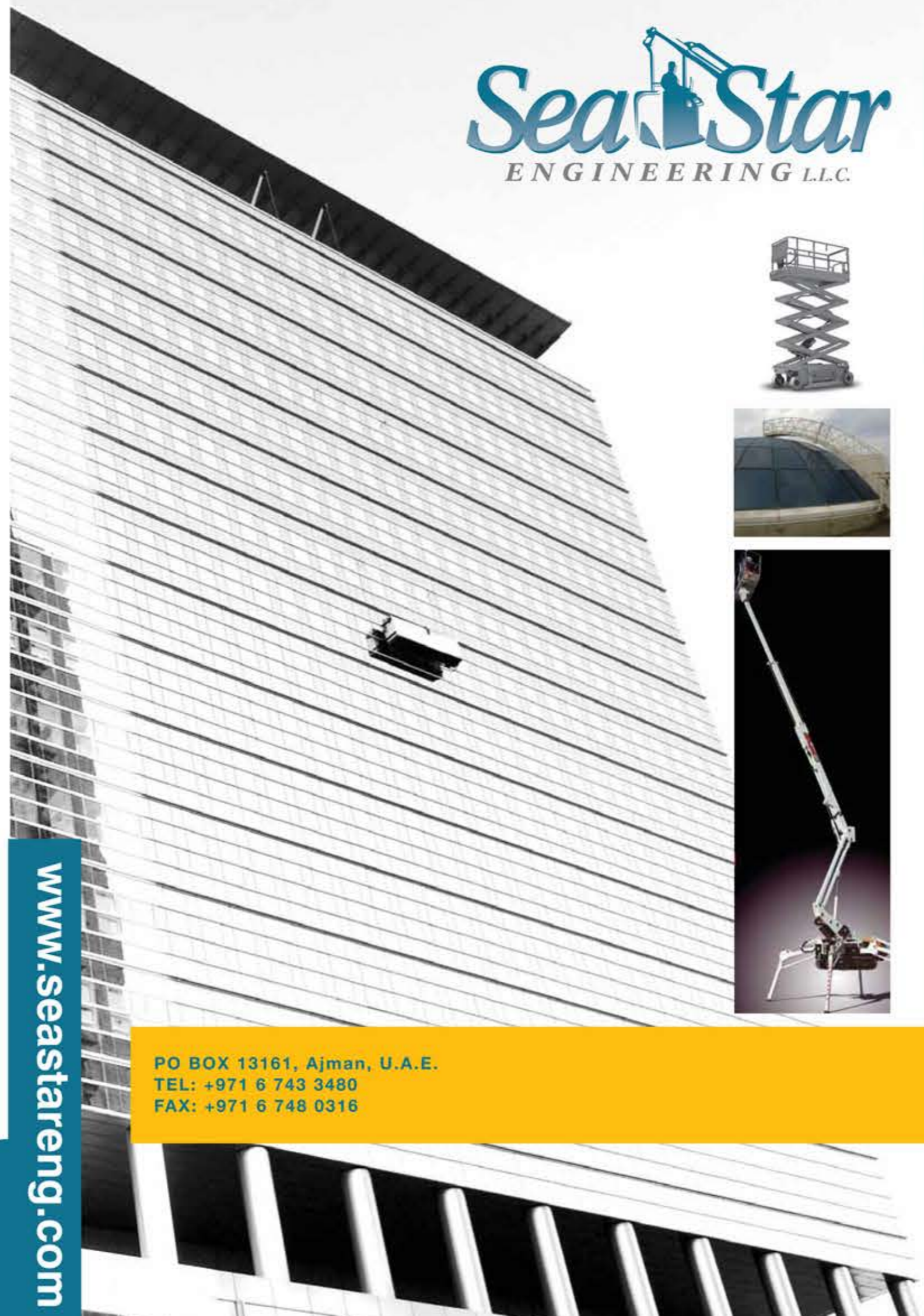
PO BOX 13161, Ajman, U.A.E.
TEL: +971 6 743 3480
FAX: +971 6 748 0316



SUSPENDED ACCESS & MAINTENANCE EQUIPMENT

- Specialists in yearly preventive maintenance contract for WCE
- Window Cleaning Equipment (WCE)
- Mobile Maintenance platforms/Rental cradles

www.seastareng.com





COMMITTED TO INNOVATION & QUALITY



Established in the UAE, Sea Star Engineering offers complete service in permanent building access equipment to solve maintenance and cleaning problems.



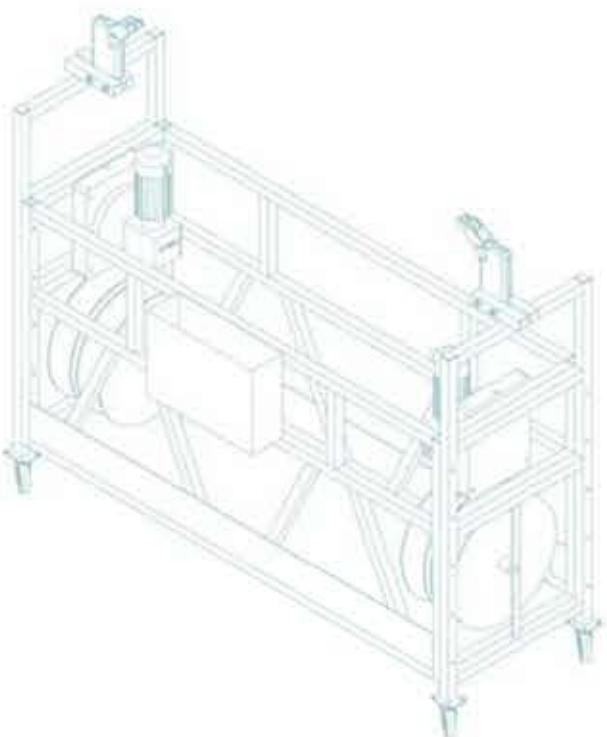
A complete range of equipment, from simple manual cradles to fully powered units, can be provided, whether to a new project, part of a building refurbishment or renovation of an existing permanent access system in compliance with local requirements including overload.



Because of the variation in building designs, the range of products is by no means standard. The company employs a flexible approach, based on sound experience and innovative design to produce individual customized solutions.



Sea Star Engineering develops new products and services continuously to enhance their range and benefit customers. Sea Star Engineering is experienced in strengthening existing system or designing suspension system, to lift loads up to 2.5 tons of steel beams, cladding component glass, large coils replacement for chillers is currently pioneering the use of permanent access equipment with purpose made cradles to facilitate the replacement of windows during refurbishment of occupied buildings.



OUR SERVICES

PROPOSALS INCLUDING SPECIFICATIONS FOR PROJECTS UNDER DESIGN FOR CONSULTANTS.

- Design, manufacturing and installation of building access system for any shape and height to international standards.
- Import of window cleaning equipment from world leading manufacturers. (Gind, Fixator & Power Climber)
- Supply of cradles on rent with different types of rigging options i.e. parapet clamps, mobile davits, mobile rigging system and customized designed rigging with solutions to specific access problems.
- Yearly preventive maintenance package for window cleaning equipment of any make.
- External cleaning of glazing, cladding and pressure washing.
- Repairs to window cleaning equipments of any make, including importing of assemblies and components.
- Designing permanent access system to existing buildings and refurbish/ upgrade to existing equipment.
- Providing the consultants service for the design of the window cleaning equipment at the design stage.

Our Services are available to consultants during design for access systems stage for comprehensive proposal in coordination with MEP installations and other services at roof.

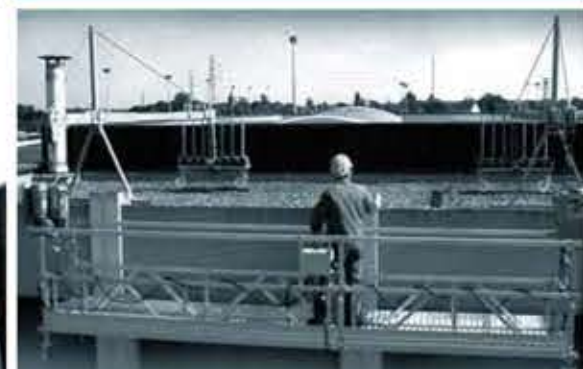
BMUs: New, Repairs, Renovation, Refurbishment, AMCs, Spares
 Temporary Cradles: Hire, Sales, Complex suspensions, Fleet repairs & Maintenance, Buyback Option
 Lifting solution w/o crane: Dual rail for glass and aluminum Installation
 Garbage chute: New, Repairs, Renovation, Spares, AMCs
 Cleaning & Painting Assignments with Cradles



DIVERSE EQUIPMENTS:

SEA STAR ENGINEERING TEAM HAS THE EXPERTISE TO FORMULATE ACCESS SOLUTIONS FOR BOTH FIXED AND MOBILE ELEMENTS OF ACCESS SYSTEMS.

- Parapet and mobile davits.
- Wall brackets with slewing jib, mobile davits, davits on wall mount and floor mounted monorail.
- Parapet mounted monorail system both externally and internally.
- Parapet and roof mounted permanent dual rail system.
- Manual or power winder equipped cradle for suspended ropes.
- Roof trolley units that are crane house equipped with winches and guided winding mechanism.
- Powered/semi powered/manual roof trolleys with guide track, with wheel assemblies mounted on dual track with bends.
- By back offer for cradle sales, Purchased of used cradles, old BMU systems.
- Cradle holding systems with lynesards.
- Manual powered gantries or ladders for internal/external glassed atrium, sky lights, domes and recessed low height cladding.
- Electrically and electromechanically controlled with PLC and low voltage conductor wire ropes.



RENTAL & SALE OF TEMPORARY PLATFORM



MOTORIZED PLATFORM (EXTENDABLE)



ANGLE PLATFORM



90° CORNER PLATFORM



BASKET PLATFORM



MOBILE COUNTER-WEIGHT SUSPENSION



LIFTING HOIST



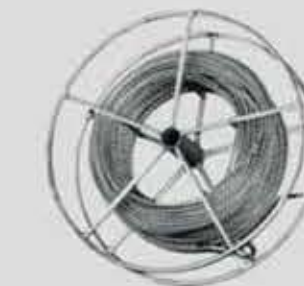
PARAPET CLAMP



SLEWING L - BRACKET



CHAIN TROLLEY



STEEL WIRE ROPE